



Magnetic

Drive

Pumps



J.V.Š., s. r. o. , Osvobození 190, 789 69 Postřelmov, Czech Republic

Magnetic drive pumps

Features:

- Seak-free, no leakage
- Excellent corrosion resistant material such as SIC, ceramics etc...
- Designed with an emphasis on improved durability
- Easy to assemble. Wide application

Application:

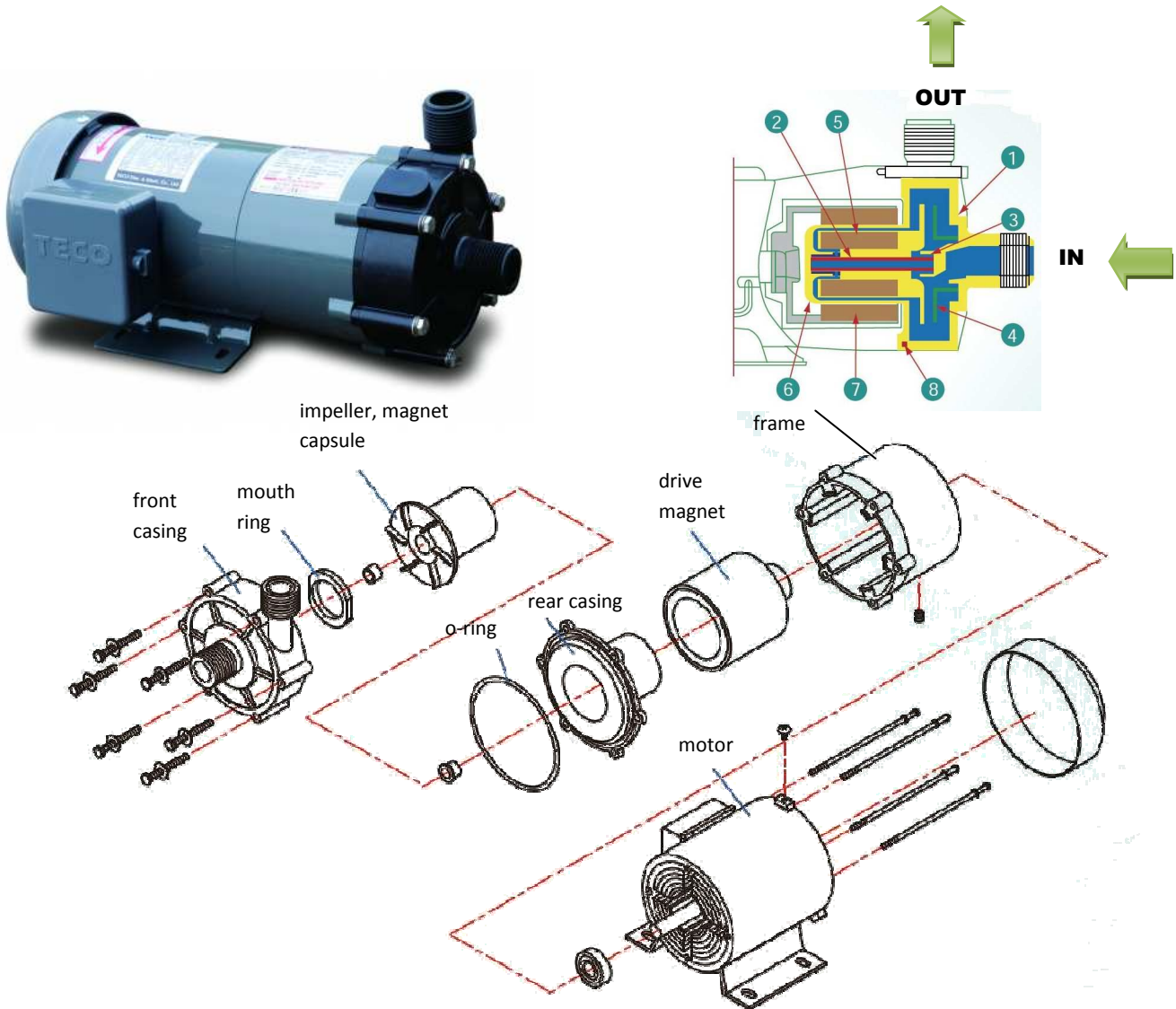
- PCB manufacturing process
- Chemical industry
- Filtration
- Etching
- Electroplating
- Heat exchanger
- Seawater aquaculture

Note:

- Dry running is strictly prohibited
- The pumps are not appropriate for the solutions which contain crystal or particles

Magnetic drive pumps

TMD06-25



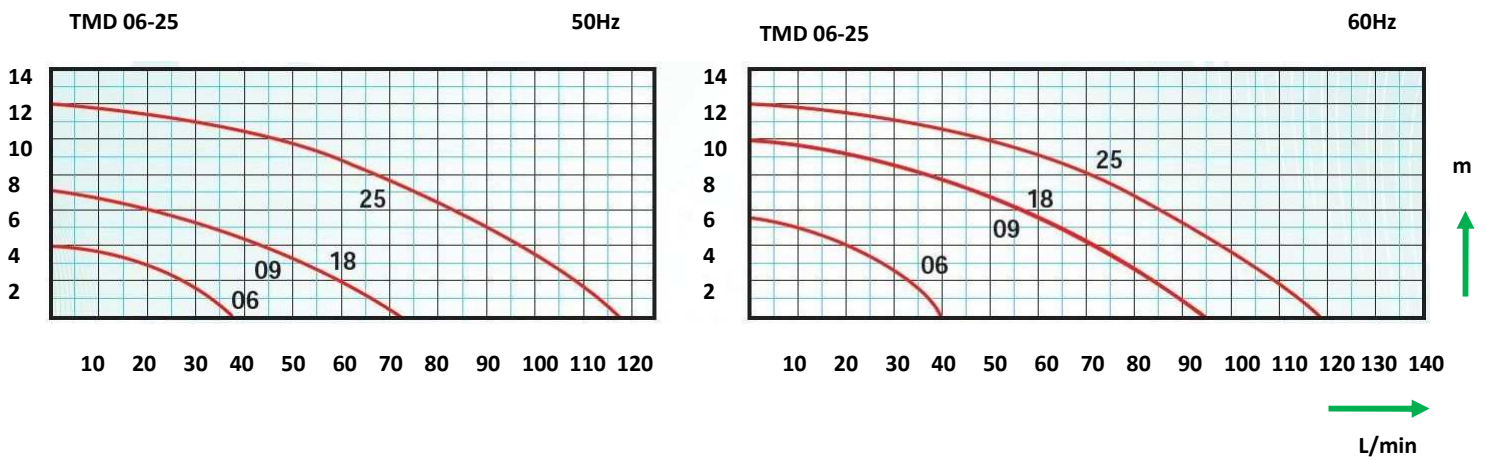
Parts & Materials Table

Type	TMD 06-25PP		TMD06-25 PVDF	
	AC	AL	AC	AL
Parts	Material		Material	
1. Front Casing	PP		PVDF	
2. Spindle	Ceramic		Ceramic	
3. Bearing	PTFE		PTFE	
4. Impeller	PP		PVDF	
5. Magnet capsule	Ferric		Ferric	
6. Rear casing	PP		PVDF	
7. Drive magnet	Ferric		Ferric	
8. O-ring	Viton	EPDM	Viton	EPDM

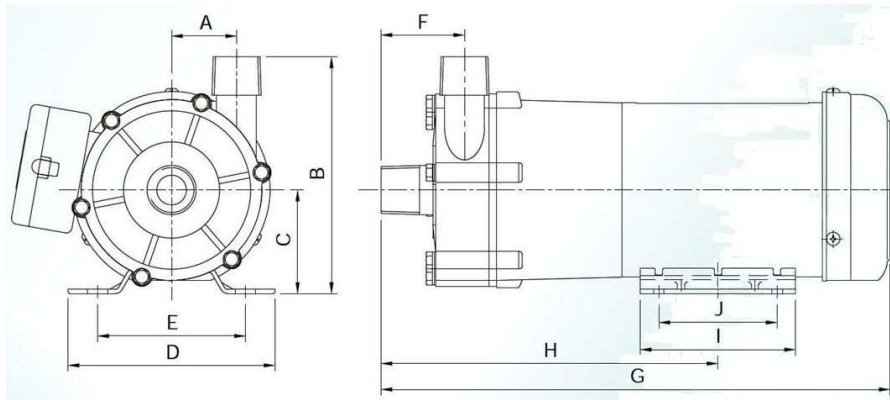
Specification & Performance Table

Type	Inlet	Outlet	Thread		Max.Capacity l/min	Max. Head m	Motor		Pole
			Inlet & outlet	Union			Power	Phase	
TMD-06	20mm	20mm	PF 3/4"	16mm	37/40	4/5,8	65W	1 nebo 3	2
TMD-09	26mm	26mm	PF 1"	20mm	72/95	7.10	90W	1 nebo 3	2
TMD-18	26mm	26mm	PF 1"	20mm	72/95	7.10	180W	1 nebo 3	2
TMD-25	26mm	26mm	PF 1"	20mm	118/119	12.12	250W	1 nebo 3	2

Performance Curve



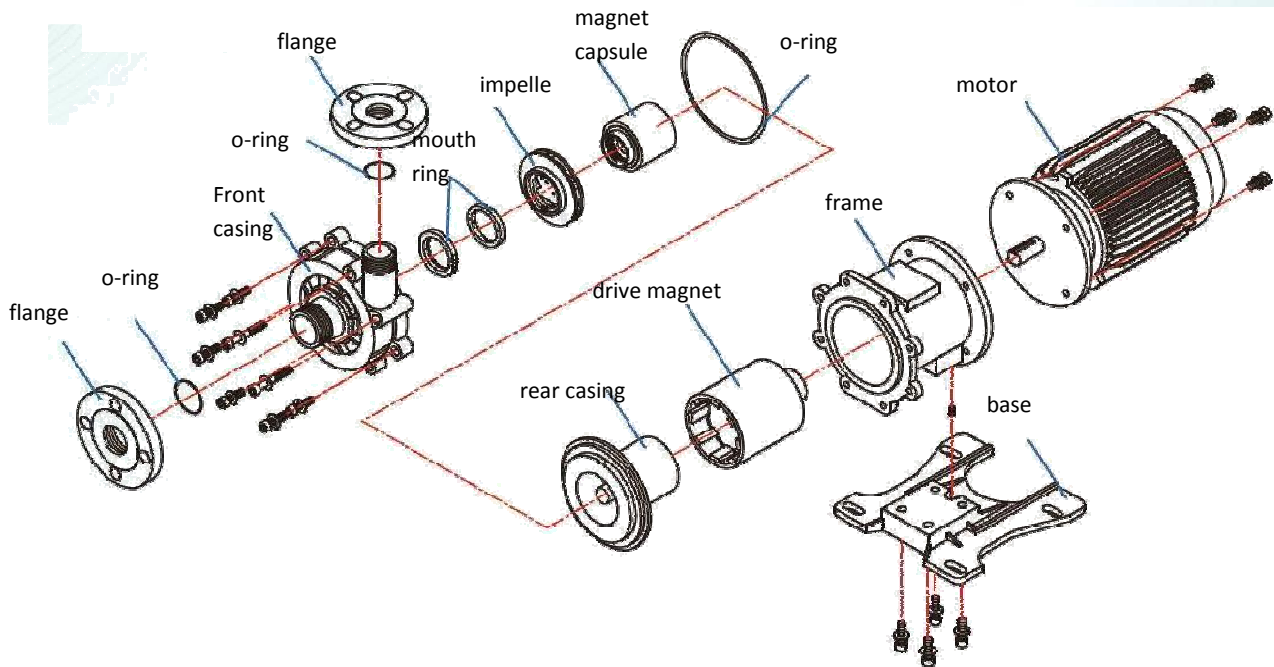
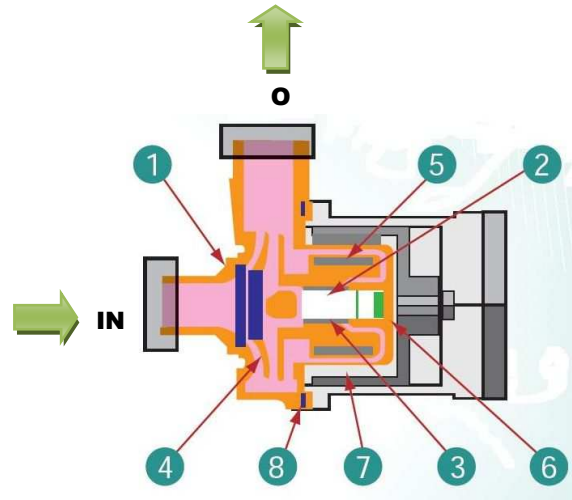
Dimension Drawing



Type	A	B	C	D	E	F	G	H	I	J
TMD-06	33	128,5	58	101,5	83	48,5	273	184,5	68	50
TMD-09	44	160	70	140	100	52	305	199,5	105	80
TMD-18	44	160	70	140	100	52	305	199,5	105	80
TMD-25	44	160	70	140	100	56,5	344,5	228	105	80

Magnetic drive pumps

TMD37-350



Parts & Materials Table

Type	TMD37-75PP		TMD 150-350PP		TMD 37-75 PVDF		TMD 150-350PVDF	
Solution	AC	AL	AC	AL	AC	AL	AC	AL
Parts	Material				Material			
1. Front casing	PP				PVDF			
2. Spindle	Ceramic	AISI316	Ceramic	AISI316	Ceramic	AISI316	Ceramic	AISI316
3. Bearing	PTFE	SIC	PTFE	SIC	PTFE	SIC	PTFE	SIC
4. Impeller	PP				PVDF			
5. Magnet capsule	Ferric		NFB		Ferric		NFB	
6. Rear casing	PP				PVDF			
7. Drive magnet	Ferric		NFB		Ferric		NFB	
8. O-ring	Viton	EPDM	Viton	EPDM	Viton	EPDM	Viton	EPDM

Specification & Performance Table

Type	Inlet	Outlet	Max. Capacity l/min		Max. head m		Power kW	Pole
			50Hz	60Hz	50Hz	60Hz		
TMD-37	40Ax40A	FF	270	275	12	11,5	0,4	2
TMD-75	40Ax40A	FF	335	341	18.1	17,5	0,75	2
TMD-150	50Ax40A	FF	401	406	24.1	24	1,5	2
TMD-220	40Ax40A	FF	453	521	25.1	23	2,2	2
TMD-350	50Ax40A	FF	570	654	26	34	3,5	2

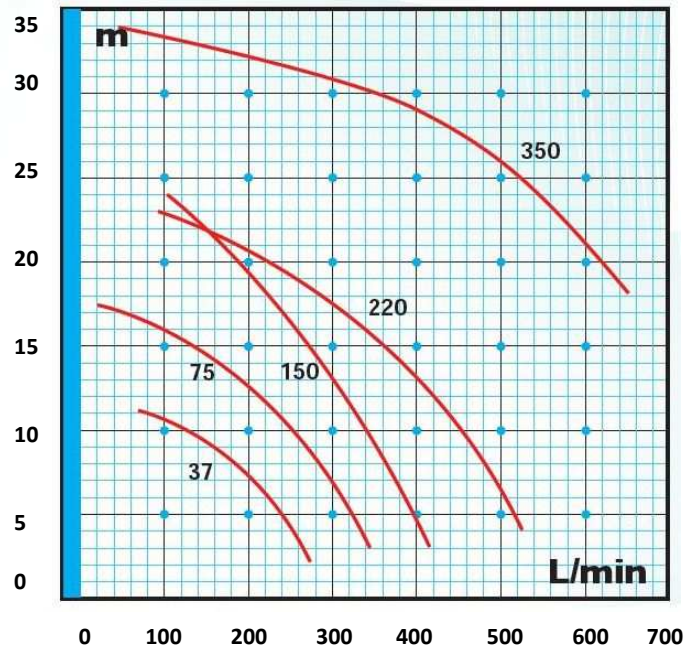
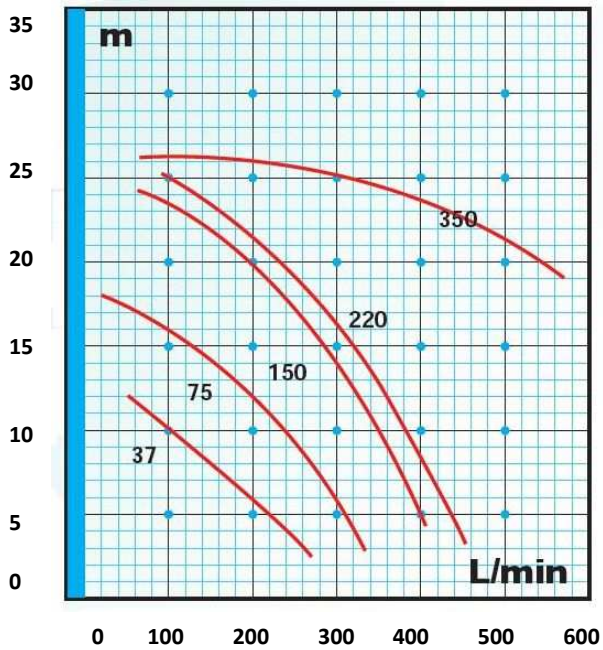
Performance Curve

TMD 37-350

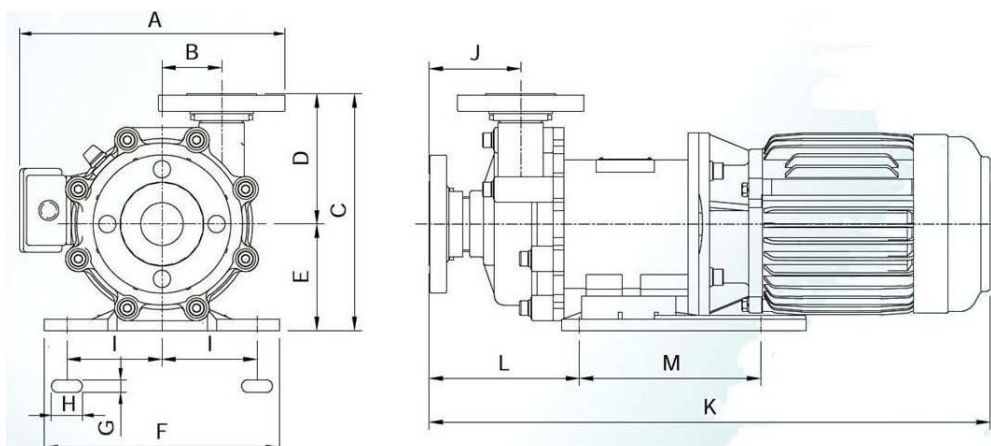
50 Hz

TMD 37-350

60 Hz



Dimension Drawing



Type	A	B	C	D	E	F	G	H	I	J	K	L	M
TMD-37	269	66	231	241	107	140			55	88	465,5	143	98
TMD-75	280	66	261	143	118	160			65	92	525	168	130
TMD-150	293	66	260	143	117	260	14	34	105	101	619,5	166	200
TMD-220	293	66	260	143	117	260	14	34	105	101	619,5	166	200
TMD-350	331	66	316	155	136	250			100	101	683	182	90



J.V.Š., s. r. o.
Osvobození 190
789 69 Postřelmov

Czech Republic
Tel.: 00420 583 437 175
Fax: 00420 583 437 175

Web: www.jvs-sro.cz
E-mail: simek@jvs-sro.cz